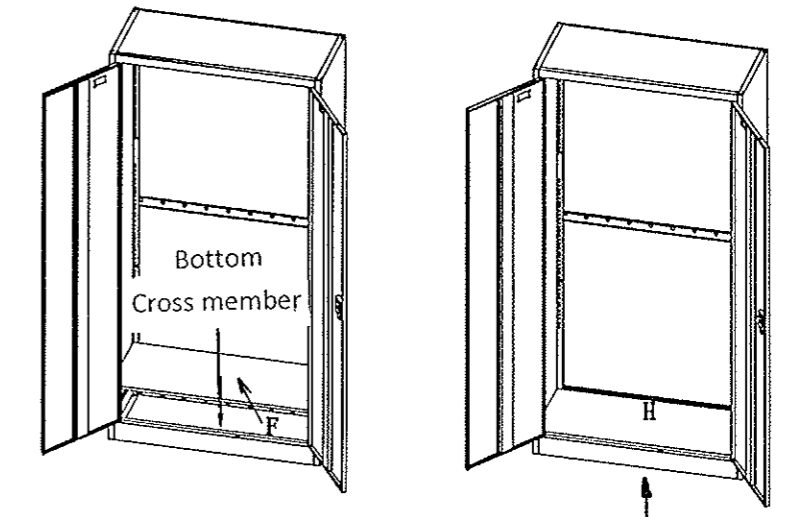
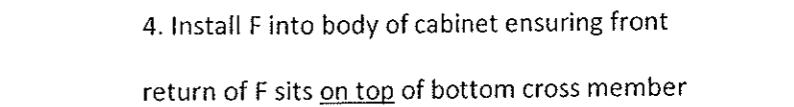
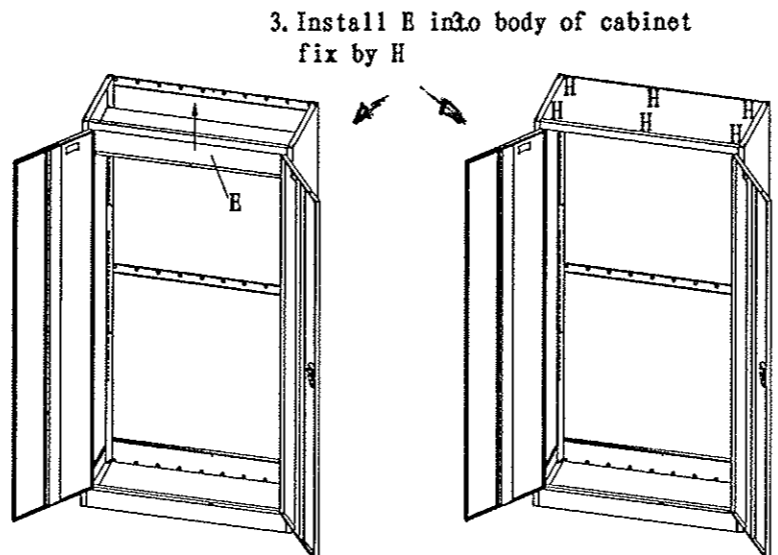
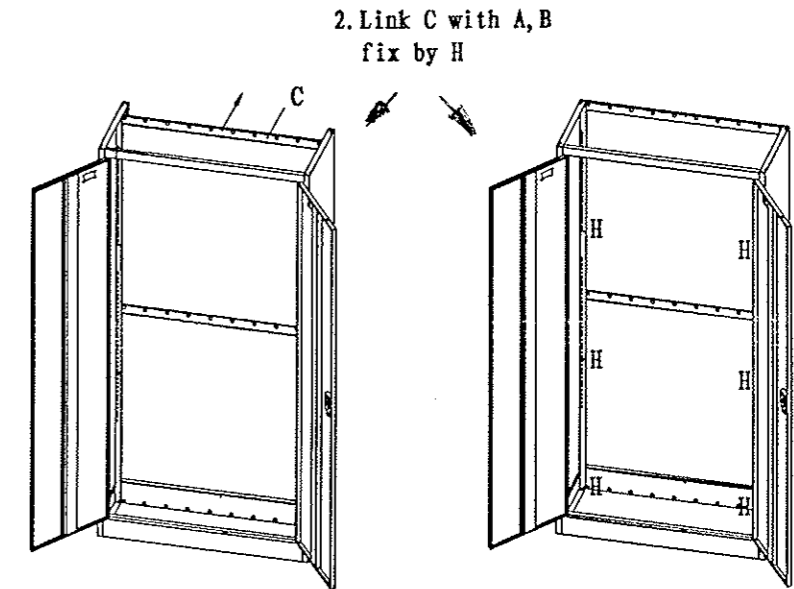
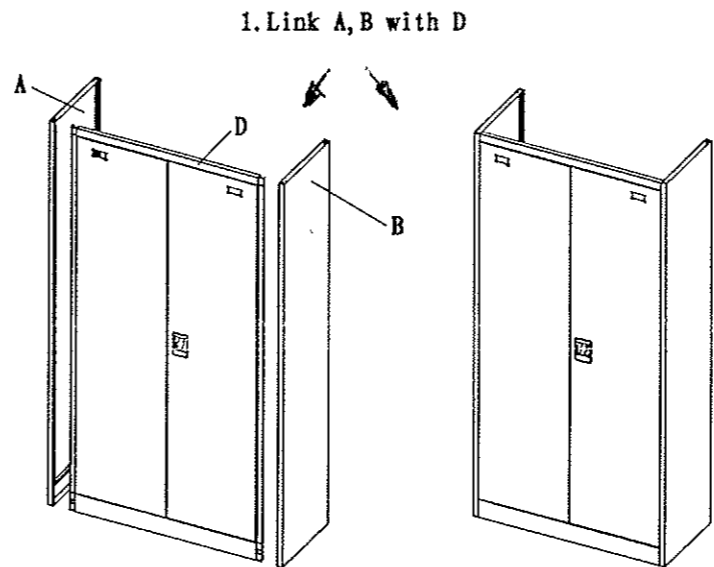


Part ID	Description	Illustration	Qty
A	Left Side Panel		1
B	Right Side Panel		1
C	Rear Wall		1
D	Front Piece		1
E	Top		1
F	Bottom		1
G	Shelf		4
H	Screw		13
I	Shelf Support		16
J	Key		2



5. Install J into body of cabinet, as shown in the following figure

